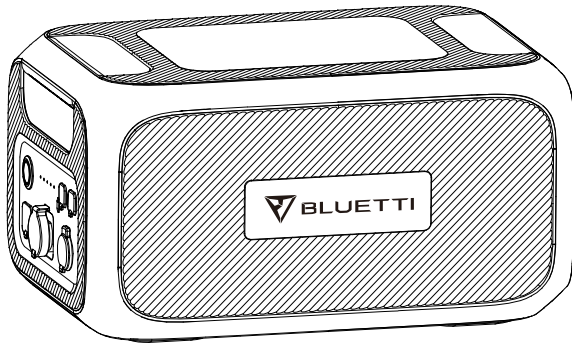




B230 Portable Power Station

Please read this manual before use and follow its guidance. Keep this manual for future reference.



User Manual

Please read this manual before use and follow its guidance. Keep this manual for future reference.

Contents

01.BRIEF INTRODUCTION	01
02.ABBREVIATION	01
03.SAFETY INSTRUCTION	01
04.BLUETTI APP	02
05.IN THE BOX	03
06.LET`S GET STARTED	05
07.FEATURES	05
08.RECHARGE	06
09.AC200MAX + B230 EXTRA BATTERY	08
10.TECHNICAL SPECIFICATIONS	09
11.FAQ (Frequently Asked Questions)	10
12.DECLARATION	10
13.FCC WARNING	10

1. BRIEF INTRODUCTION

B230, extension battery pack owns 2048Wh capacity to support BLUETTI AC200MAX series. AC200MAX + B230 setup can be an emergency power center to run your home or travel essential appliances , or with enough solar panels, you can even live off-grid life on the way.

2. ABBREVIATION

- BMS: Battery Management System
- SOC: State of Charge
- AC: Alternating Current
- DC: Direct Current
- PV: Solar Panel(s) Charging (Photovoltaic)
- Grid: Home Power Supplied by Utility
- T500: 500W Additional Adapter
- DOD: Depth of Discharge

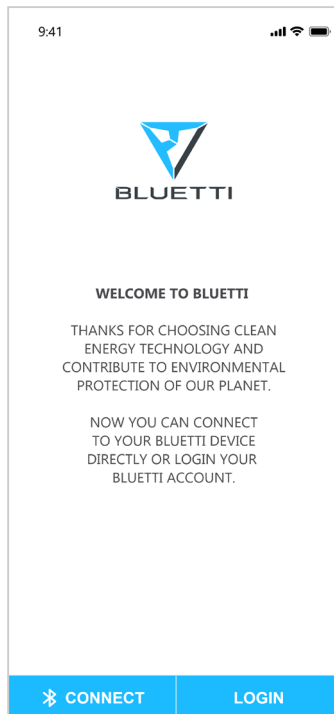
3. SAFETY INSTRUCTION

- DO NOT place the power station near heat sources. It is prohibited to place the equipment in an environment with flammable, explosive gas, or smoke. It is also prohibited to operate the equipment in this environment.
- DO NOT attempt to replace the internal battery or any other component of the equipment by anyone other than authorized personnel. There are no end-user serviceable components.
- DO NOT operate in wet conditions. If the equipment becomes wet, please let the unit dry completely before using.
- Please ensure proper ventilation while in use and do not obstruct fan openings. Inadequate ventilation may cause permanent damage to equipment.
- DO NOT stack anything on top of the power station while in storage or while in use. DO NOT move the unit while operating as vibrations and sudden impacts may lead to poor connections to the hardware inside.
- Warning: DO NOT insert foreign objects into any ports of the B230. Please operate it carefully and keep children away from it.
- In case of fire, only a dry powder fire extinguisher is suitable for the product.

- For safety purposes, please use only the original charger and cables designed for the equipment. We are not liable for damage caused by third-party equipment and may render your warranty invalid.






4. BLUETTI APP

With BLUETTI App, the remaining capacity of B230 can be viewed via Bluetooth or on the touchscreen of AC200MAX when B230 has been connected to AC200MAX already.







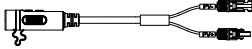


5.IN THE BOX

Standard Accessories

No.	Category	Quantity
1	 B230 Extension Battery	1
2	 Battery Extension Cable(P090A) For battery expansion, connect B230 with AC200MAX.	1
3	 User Manual Please read the manual before use and follow its guidance, keep this manual for future reference.	1
4	 Warranty Card Please keep this Warranty Card properly.	1
5	 Certificate of QC PASS	1

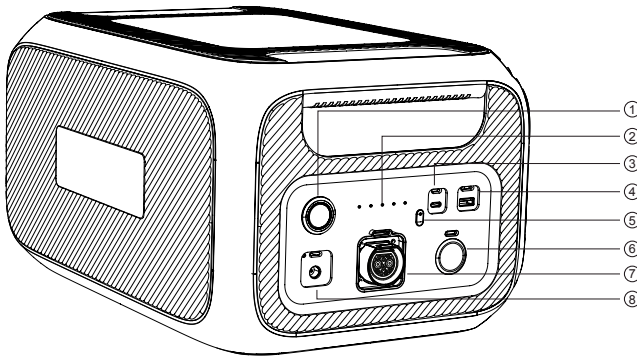
Additional Purchase Accessories
 Sold on BLUETTIPOWER.COM

Type	Category
Optional Input Cable	 <p>T500 Adapter</p>
	 <p>D050S Charging Kit (Including D050S unit, PV Charging Cable, Car Charging Cable)</p>
	 <p>D050S Lead-acid Charging Cable</p>
	 <p>Cigarette Lighter Port to DC5521 (Support devices with DC5521 input port such as router, camera, laptop etc)</p>
	 <p>P090D-7909 Connect B230/B300 with EB120, EB150, EB180, EB240</p>
	 <p>P090D-XT90, XT90-Aviation Plug Connect B230/B300 with AC200/P, AC200MAX, EB200/P, PS200A</p>
	 <p>P090D-MC4 Connect B230/B300 with EP500Pro</p>

6.LET`S GET STARTED

- Power On: Long press on the power button. The power button indicator will illuminate.
- Power Off: Long press of the power button for 2 seconds. The power button LED indicator will turn off.

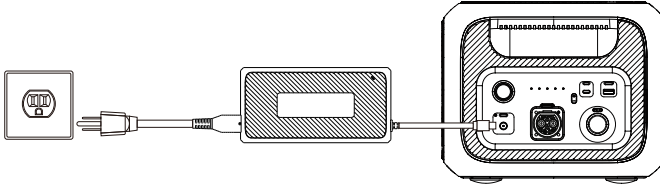
7.FEATURES



- | | |
|--------------------------------------------------------------------------------------------------------------------------------------------|------------------------------------------------------------------------------------------------------------------------------|
| 01 Power Button
Press to turn ON/OFF the unit. | 05 DC Button
Press to turn ON/OFF DC output. |
| 02 LED Capacity Indicator
Show the remaining capacity of the unit(0-20-40-60-80-100%) | 06 Cigarette Lighter Port
Output port for devices with corresponding plug such as vehicle-use vacuum, mini fridge. |
| 03 USB-C
Can be used via USB-C to USB-C cable to charge most devices in the market such as Pixel Phone, Macbook Pro at 100W Max. | 07 Battery Extension Port
To connecting B230 with AC200MAX. |
| 04 USB-A Output Port
Supports QC3.0 protocol. | 08 Input Port
To charge B230 via T500 adapter. For vehicle, extra solar power via D050S. |

8.RECHARGE

AC Charging (Default)



(Charge B230 through T500 adapter)

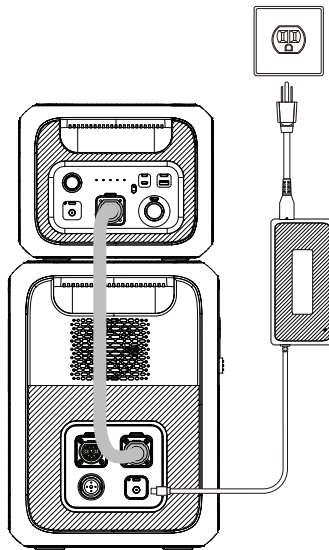
Estimation of Charging Time: $2048\text{Wh} / 500\text{W(T500 adapter)} + (0.5 - 1 \text{ Hrs Trickle Charging}) = 4.6\text{-}5.1\text{Hrs}$ for AC200MAX fully charged via T500 adapter only.

Estimation of Running Time: $2048\text{Wh} / 96\text{W(MacBookPro)} * 0.9(\text{DoD}) * 0.9(\eta) = 17 \text{ Times}$.

DoD indicates Depth of Discharge.

η indicates efficiency.

Extension Charging 01



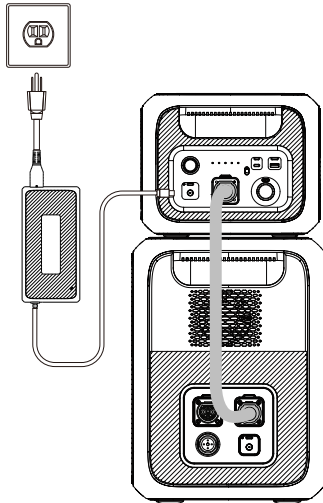
(Recharge AC200MAX by T500 adapter)

SOC-A: the remaining capacity of AC200MAX

SOC-B: the remaining capacity of B230 battery pack

When SOC-A = SOC-B, both of the two units will be charged simultaneously.
When SOC-A < SOC-B, AC200MAX will be charged first by all power sources in the Capacity Fusion System until SOC-A = SOC-B, then both of the two units will be charged simultaneously.
When SOC-A > SOC-B, only AC200MAX will be recharged.

Extension Charging 02



(T500 adapter on B230)

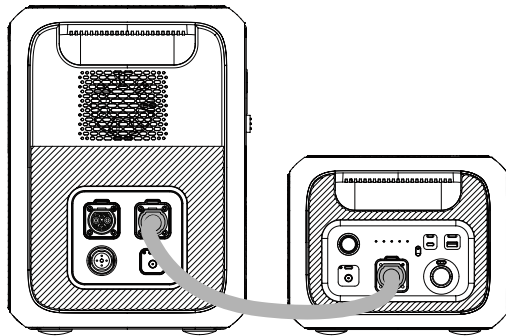
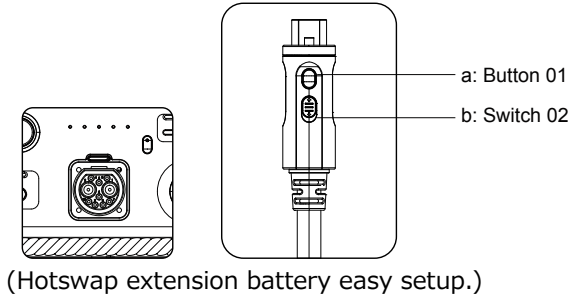
When SOC-A = SOC-B, both of the two units will be charged simultaneously.
When SOC-A < SOC-B, B230 will be charged by exterior power source(eg.T500 Adapter), AC200Max will be charged by B230.
When SOC-A > SOC-B, B230 will be charged first by all power sources in the Capacity Fusion System until SOC-B = SOC-A, then both of the two units will be charged simultaneously.

9.AC200MAX + B230 EXTRA BATTERYYS

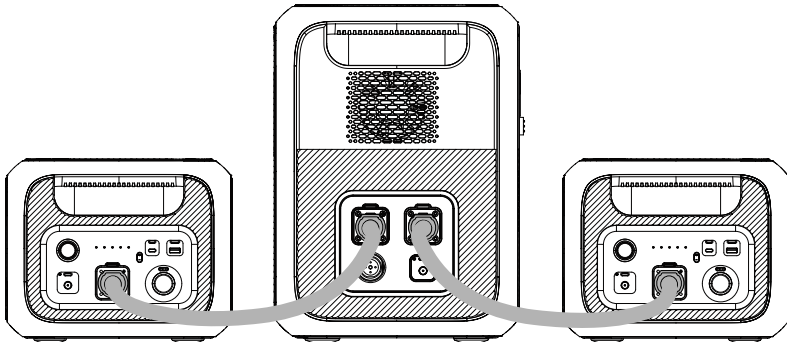
Step 1: Turn ON/OFF B230.

Step 2: Press the button(a) and fully plug Battery Extension Cable into the battery port of AC200MAX.

Step 3: Push forward the switch(b) to lock the connection.



(AC200MAX + *1 B230 = 4096Wh Capacity)



(AC200MAX with *2 B230 = 6144Wh)

10. TECHNICAL SPECIFICATIONS

General Specs	
Model No.	B230
Net Weight	21.8kg (48.0lbs)
Dimensions	420*280*227.5mm (16.5*11.0*8.91in)
Charge Temperature	0-40°C (32-104 °F)
Discharge Temperature	-20-40°C (-4-104 °F)
Storage Temperature	-20-40°C (-4-104 °F)
Working Environment Humidity	10-90%
Capacity	2048Wh (40Ah)
Battery Type	LiFePO4
Standard Battery Voltage	51.2VDC
DC Output	
Cigarette Lighter Port * 1	12VDC/10A
USB-A * 1	3.6-12VDC, 3A,18W
USB-C * 1	5-15VDC,3A; 20VDC,5A,100W
Adapter(T500)	
AC input	100-240VAC,50/60Hz,7.5A MAX
DC Output	58.8VDC, 8A
Solar power (D050S)	
MPPT(single) Voltage Limit	12-60VDC
Max. Power of Input	500W MAX
Max Input Current	10A MAX
DC Output	16-60VDC, 8.2A MAX
Battery Extension Port *1	
Specs	58.8VDC

11. FAQ (Frequently Asked Questions)

- How to claim the warranty?

Please refer to the warranty card you received from where you have ordered the product from.

- Can the unit be upgraded?

When B230 has been connected to AC200MAX, the firmware including ARM, DSP, IoT and BMS can be upgraded online through OTA via BLUETTI APP.

- Can it be charged and discharged at the same time?

Yes B230 supports simultaneous recharge&discharge.

- How to store B230?

We recommend a 3-6 months charging to 80% capacity to extended the battery life, over-discharge will damage the battery cell.

12. DECLARATION

- Some changes may occur without notice such as external appearance or specifications due to availability of material supplies or hardware improvements of the product over time.

- BLUETTI shall not be liable for any damage caused by force majeure such as fires, typhoons, floods, earthquakes or the user's intentional negligence, misuse or other abnormal conditions.

- No compensation for damages shall be made for utilizing non-standard adapters and accessories.

- This unit is not suitable for use on the relevant equipment or machines involving:

Personal safety, such as atomic energy devices, aerospace devices, emergency medical devices, etc., or any equipment or machines that require extremely highly reliable power sources. We are not responsible for accidents, fires, wrongful or negligent actions caused by such equipment or machines which results in damage.

13.FCC WARNING

This device complies with Part 15 of the FCC Rules.

Operation on the product is subject to the following conditions:

(1) this device may not cause harmful interference.

(2) this device must accept any interference received, including interference that may cause undesired operation.

Any changes or modifications not expressly approved by the party responsible for compliance could void the user's authority to operate the equipment.

NOTE: This equipment has been tested and found to comply with the limits for a Class B digital device, pursuant to Part 15 of the FCC Rules. These limits are designed to provide reasonable protection against harmful interference in a residential installation. This equipment generates, uses and can radiate radio frequency energy, if not installed and used in accordance with the instructions, may cause harmful interference to radio communications.

However, there is no guarantee that interference will not occur in a particular installation.

If this equipment does cause harmful interference to radio or television reception, which can be determined by turning the equipment off and on, the user is encouraged to try to correct the interference by one or more of the following measures:

- Reorient or relocate the receiving antenna.
- Increase the separation between the equipment and receiver.
- Connect the equipment into an outlet on a circuit different from that to which the receiver is connected.
- Consult the dealer or an experienced radio/TV technician for help.

FCC Radiation Exposure Statement

This equipment complies with FCC radiation exposure limits set forth for an uncontrolled environment. This equipment should be installed and operated with a minimum distance of 0.65ft between the radiator and your body.

EU REP

Company: POWEROAK GmbH
Address: Lindwurmstr. 114, 80337
München Germany
Mail: logi@bluetti.de

UK REP

Company: POWEROAK ENERGY UK CO.,LTD
Address: Suite 108 Chase Business Center 39-41
Chase Side London United Kingdom N14 5BP
Mail:poweroak.eu@bluetti.com